



Anglo-Chinese School

A Methodist Institution
(Founded 1886)

**PRIMARY FOUR
MATHEMATICS
SA2 REVISION PAPER 2021
Set 1**

Name: _____ () Class: Primary 4 ____

Date: _____ Duration of paper: 1h 45 min

Parent's / Guardian's Signature

No.	Contents	Marks	Marks Obtained
1.	SECTION A	30	
2.	SECTION B	40	
3.	SECTION C	30	
	TOTAL	100	

SECTION A - Multiple Choice Questions (30 MARKS)

Questions 1 to 15 carry 2 marks each.

For each question, four options are given. One of them is the correct answer.

Make your choice (1, 2, 3 or 4). Shade the correct oval (1, 2, 3 or 4) on the Optical Answer Sheet (OAS).

1. 4 thousands, 33 hundreds and 3 ones is the same as _____.

(1) 4036

(2) 4333

(3) 7303

(4) 7330

2. 39 948 rounded to the nearest hundred is _____.

(1) 39 000

(2) 39 900

(3) 39 950

(4) 40 000

3. Which of the following is a multiple of both 4 and 6?

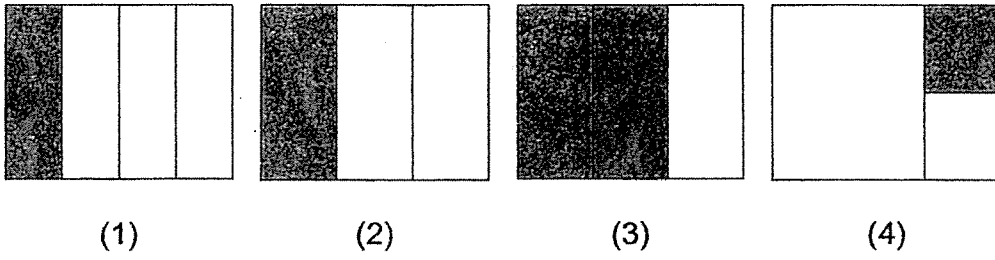
(1) 10

(2) 12

(3) 16

(4) 18

4. Which one of the following has $\frac{1}{3}$ of the figure shaded?



5. $\frac{1}{3} + \frac{1}{12} =$ _____

(1) $\frac{1}{36}$

(2) $\frac{2}{15}$

(3) $\frac{5}{12}$

(4) $\frac{2}{3}$

6. There are _____ tenths in $2\frac{2}{5}$.

(1) 4

(2) 12

(3) 22

(4) 24

7. David had 42 sweets. He gave $\frac{3}{7}$ of his sweets to his cousins. How many sweets did David have left?

- (1) 6
- (2) 14
- (3) 18
- (4) 24

8. The digit 5 in 27.51 stands for 5 _____.

- (1) ones
- (2) tens
- (3) tenths
- (4) hundredths

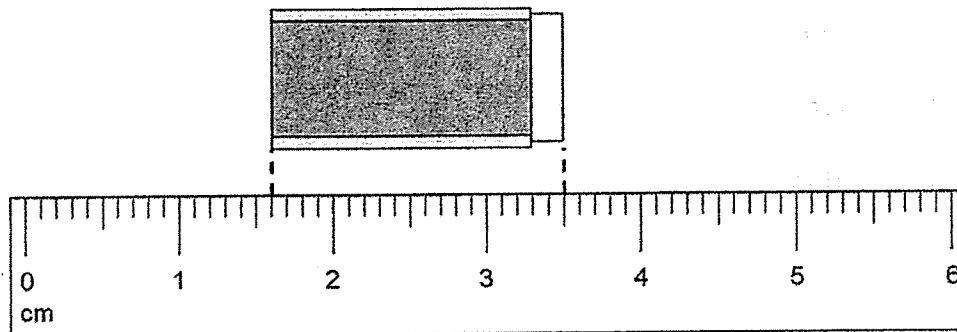
9. Express 2.04 as a fraction in its simplest form.

- (1) $\frac{3}{125}$
- (2) $\frac{6}{25}$
- (3) $2\frac{1}{25}$
- (4) $2\frac{2}{5}$

10. Samuel has 3 m of ribbon. He cuts it into 6 equal pieces. How long is each piece?

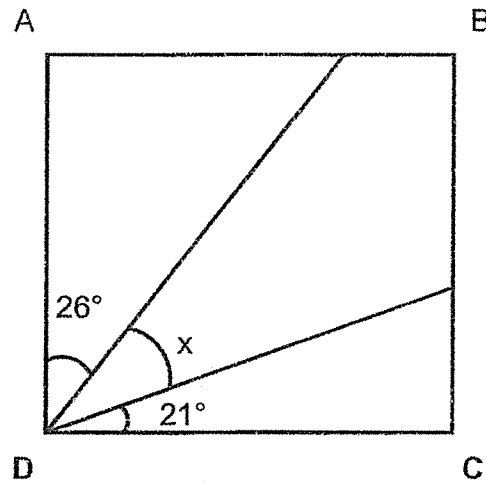
- (1) 0.02 m
- (2) 0.05 m
- (3) 0.2 m
- (4) 0.5 m

11. In the figure below, what is the length of the eraser in centimeters?



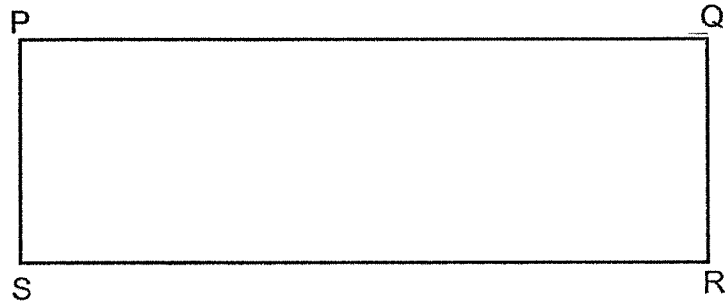
- (1) 1.1 cm
- (2) 1.6 cm
- (3) 1.9 cm
- (4) 3.5 cm

12. In the figure shown, ABCD is a rectangle. Find $\angle x$.

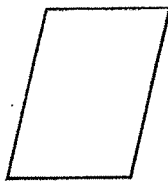


- (1) 43°
(2) 47°
(3) 64°
(4) 69°
13. Linda ran around her school field in 3 min 4 s. Linda took 52 s more than Max to complete the run. How long did Max take to complete his run?
- (1) 1 min 20 s
(2) 2 min 8 s
(3) 2 min 12 s
(4) 2 min 52 s

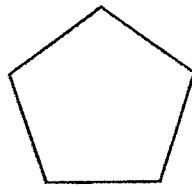
14. The length of rectangle PQRS is 3 times its breadth. The perimeter of rectangle PQRS is 96 cm. What is the breadth of rectangle PQRS?



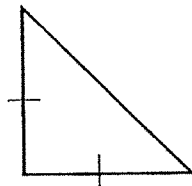
- (1) 12 cm
(2) 24 cm
(3) 36 cm
(4) 72 cm
15. Which of the following figures **does not** have at least one line of symmetry?



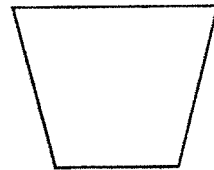
(1)



(2)



(3)



(4)

SECTION B - Short Answers (40 Marks)

Questions 16 to 35 carry 2 marks each. Show all workings clearly.

Write your answer in the space provided. Give your answers in the units stated and in its simplest form whenever possible.

16. Write eighteen thousand and twenty-nine in figures.

Ans: _____

17. Arrange the following numbers from the smallest to the greatest.

3074 , 3407 , 3047

Ans: _____ , _____ , _____
(smallest) (greatest)

18. Some factors of 20 are 1, 2, 4 and 20. What are the other two factors of 20?

Ans: _____ and _____

19. Write $\frac{15}{7}$ as a mixed number.

Ans: _____

20. Find the value of $1 - \frac{1}{4} - \frac{3}{8}$.

Ans: _____

21. $0.06 = \frac{6}{\boxed{?}}$

What is the missing number in the box?

Ans: _____

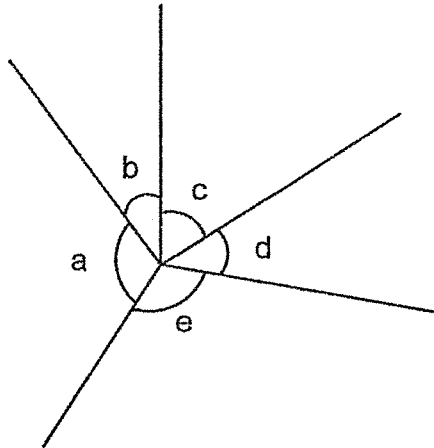
22. $4.1 - 0.33 =$ _____

Ans: _____

23. Find the value of 3.84×6 .

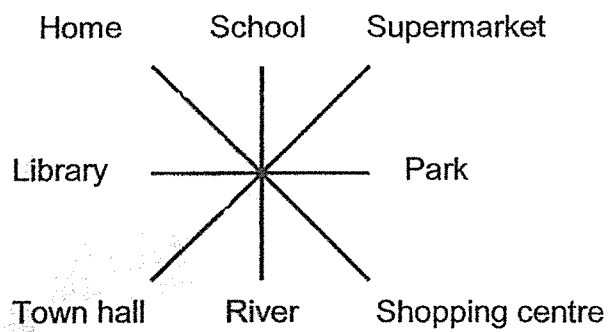
Ans: _____

24. In the figure, name the two angles that are greater than 90° .



Ans: \angle _____ and \angle _____

25. George is currently facing his home. He made a 135° anti-clockwise turn. Where is George facing now?

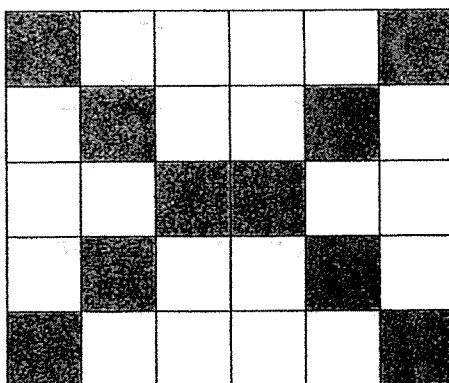


Ans: _____

26. The product of 2 numbers is 1664. The smaller number is 8. What is the larger number?

Ans: _____

27. Tom wants $\frac{3}{5}$ of the figure below to be shaded. How many more squares must Tom shade?



Ans: _____

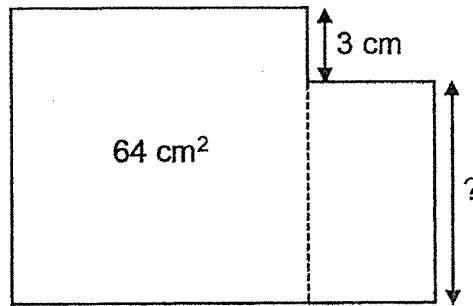
28. Linda took 1 h 45 min to complete her homework. She completed her homework at 12 30. What time did Linda start doing her homework? Leave your answer in 24-hour clock format.

Ans: _____

29. Jenny had 4.3 kg of flour and she used all the flour to bake 8 cakes. Each cake used the same amount of flour. How much flour did she use to bake each cake? Give your answer in decimals corrected to 2 decimal places.

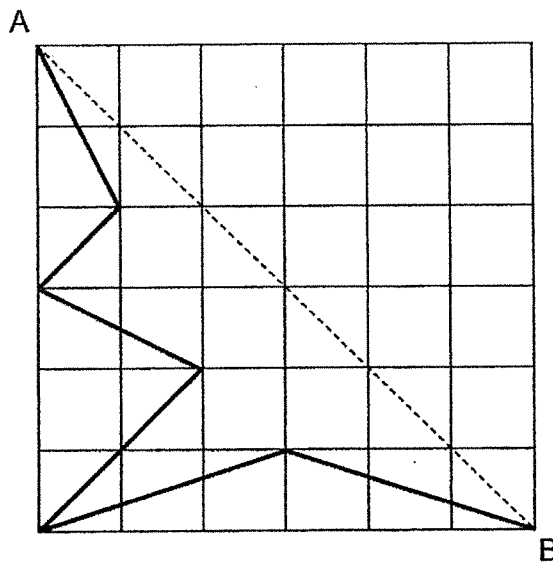
Ans: _____ kg

30. The figure below is made up of a rectangle and a square. The area of the square is 64 cm^2 . Find the length of the rectangle.

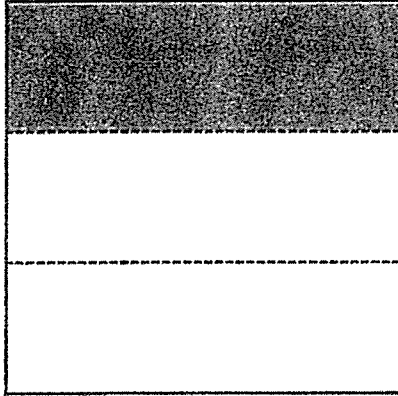


Ans: _____ cm

31. Complete the figure below to make a shape that is symmetrical about line AB.

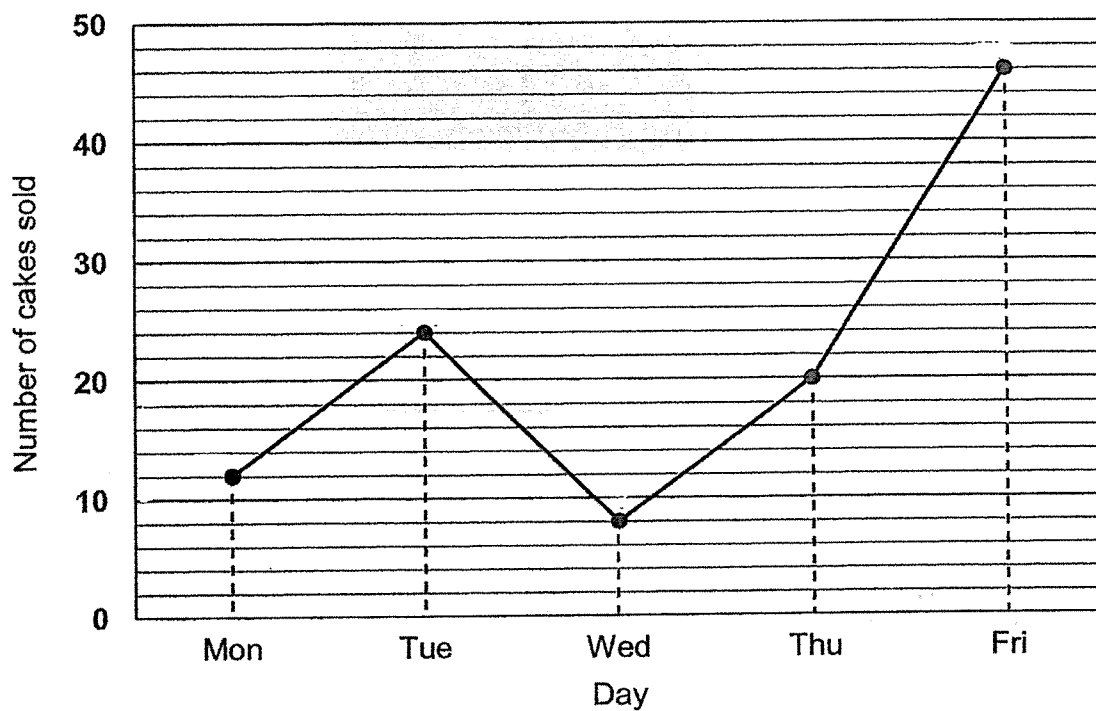


32. The figure below is a square that is made up of 3 identical rectangles. The square has an area of 36 cm^2 . Find the perimeter of the shaded rectangle.



Ans: _____

Study the graph below carefully and answer questions 33, 34 and 35. The graph below shows the amount of cakes sold by a shop from Monday to Friday.



33. What is the total number of the cakes sold on Monday and Thursday?

Ans _____

34. In which one-day period did the number of cakes sold increase the most?

Ans: _____ to _____

35. Which day has 3 times as many cakes sold as on Wednesday?

Ans: _____

SECTION C - Problem Sums (30 Marks)

For each question from 36 to 43, show your working and mathematical statements clearly in the space below each question. Write your answer in the answer space provided. Give your answers in the units stated and in its simplest form whenever possible. Marks awarded are shown in the brackets [].

36. A fruit seller sold an equal number of apples and pineapples. Each apple costs \$2 while each pineapple costs \$5. The fruit seller collected a total of \$756. How many pineapples were sold?

Answer : _____ [3]

37. During a class party, $\frac{1}{2}$ of the pupils in the class were given a red balloon, $\frac{1}{5}$ of the pupils in class were given a blue balloon. The rest of the pupils were given a yellow balloon. What fraction of the class received a yellow balloon?

Answer : _____ [3]

38. Gregory has 6 boxes and 3 bags of soccer balls. He has a total of 261 soccer balls. Each bag contains 18 more soccer balls than each box. How many soccer balls are there in each bag?

Answer : _____ [4]

39. The table below shows the number of stickers each child had in their jotter book.

Name	Bob	Kevin	Michelle	Vanessa	Ian
Number of stickers	11	12	7	?	14

- (a) The 5 children had a total of 60 stickers in their jotter books. How many stickers did Vanessa have in her jotter book?
- (b) Express the number of stickers Bob and Kevin had as a fraction of the total number of stickers.

Answer : (a) _____ [2]

(b) _____ [2]

40. Paul had some money. He bought 8 similar t-shirts and had \$44 left. If he bought 5 similar t-shirts instead, he would have \$92 left. How much did 7 similar t-shirts cost?

Answer : _____ [4]

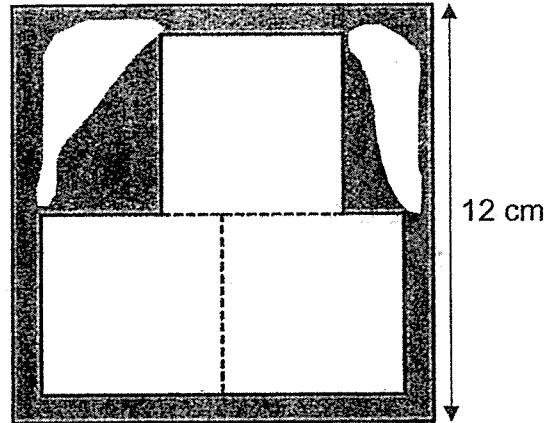
41. The total mass of 7 identical bags of rice and 4 identical cartons of milk is 15 kg. The total mass of 2 such bags of rice and 2 such cartons of milk is 4.8 kg. What is the mass of a bag of rice?

Answer : _____ [4]

42. Brandon's gym class usually lasts 1 h 20 min. However, last Saturday, Brandon's class lasted 12 min longer than usual. He was also 15 min late for his class. As such, Brandon's class ended at 4.32 p.m instead of the usual time. What time does Brandon's gym class usually start?
(Leave your answer in 24-hour clock format.)

Answer : _____ [4]

43. The figure below, not drawn to scale, is made up of 3 identical small squares within a larger square of length 12 cm. The perimeter of the unshaded portion of the figure is 40 cm. What is the area of the shaded portion of the figure?



Answer : _____ [4]

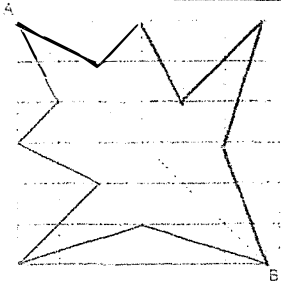
ANSWER KEY

YEAR : 2021
LEVEL : Primary 4
SCHOOL : Anglo-Chinese School
SUBJECT : MATHEMATICS
TERM : SA2 Revision Paper set 1

Section A

Q1	3	Q2	2	Q3	2	Q4	2	Q5	3
Q6	4	Q7	4	Q8	3	Q9	3	Q10	4
Q11	3	Q12	1	Q13	3	Q14	1	Q15	1

Section B

Q16	18029	Q17	3047, 3074, 3407
Q18	5 and 10	Q19	$\frac{15}{7} = 2\frac{1}{7}$
Q20	$1\frac{2}{8} - \frac{3}{8} = \frac{3}{8}$	Q21	$0.06 = \frac{6}{100}$ Ans : 100
Q22	$41 - 0.33 = 3.77$	Q23	$3.84 \times 6 = 23.04$
Q24	$\angle a$ and $\angle e$	Q25	River
Q26	$1664 \div 8 = 208$	Q27	$6 \times 5 = 30$ $30 \div 5 = 6$ $6 \times 3 = 18$ $19 - 10 = 8$
Q28	1045	Q29	$4.3 \div 8 = 0.537$ $0.537 \approx 0.54$ (2d.p.)
Q30	$64 = 8 \times 8$ $8 - 3 = 5$	Q31	
Q32	$36 = 6 \times 6$ $6 \div 3 = 2$ $6 + 2 + 6 + 2 = 16\text{cm}$	Q33	$12 + 20 = 32$
Q34	Thursday to Friday	Q35	$8 \times 3 = 24$ Ans : Tuesday

SECTION C

Q36	$2+5=7$ $756 \div 7 = 108$	Q37	$1\frac{5}{10} - \frac{2}{10} = \frac{3}{10}$
Q38	$18 \times 3 = 54$ $261 - 54 = 207$ $207 \div 9 = 23$ $23 + 18 = 41$	Q39	(a) $11 + 12 + 7 + 14 = 44$ $60 - 44 = 16$ (b) $11 + 12 = 23$ ans: $\frac{23}{60}$
Q40	$92 - 44 = 48$ $48 \div 3 = 16$ $16 \times 7 = \$112$	Q41	$15 - 4.8 = 10.2$ $10.2 - 4.8 = 5.4$ $5.4 \div 3 = 1.8\text{kg}$
Q42	1445	Q43	$40 \div 8 = 5$ $5 \times 5 = 25$ $25 \times 3 = 75$ $12 \times 12 = 144$ $144 - 75 = 69\text{cm}^2$

2
END